



www.gsaudio.it



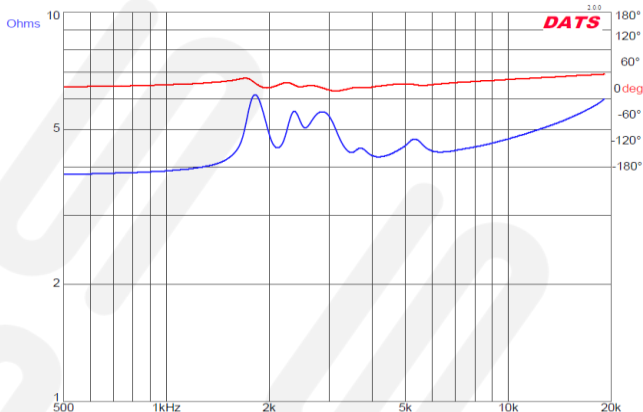
GS-TW25 MK2

General Specifications

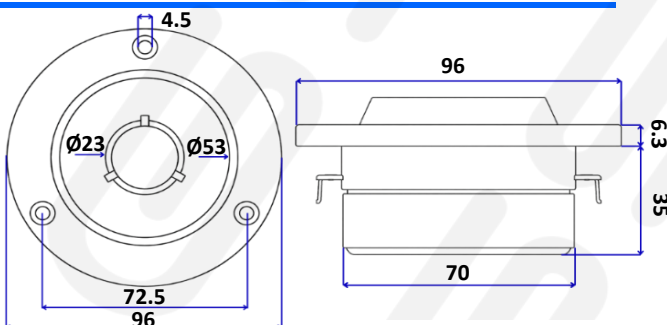
Throat Diameter	53 mm (2.1 in)
Impedance	4 Ohm
Minimum Impedance	3.8 Ohm
RMS Power	70W RMS > 3.5 kHz
RMS Power (2)	100W RMS > 5 kHz
Max Power	200 W > 5 kHz
Frequency Range	5 kHz - 20 kHz
Sensitivity (1W - 1m)	102 dB
Sensitivity (2.83V)	105 dB
Voice Coil Diameter	25 mm (1 in)
Voice Coil Wire	CCA W
Voice Coil Winding Height	3 mm (0.12 in)
Voice Coil Material	Kapton
Diaphragm Material	Titanium

Thiele&Small Parameters

Re (Ohm)	3.76
Fs (Hz)	1816.90
Le (mH) at 10kHz	0.05
Qts	4.30
Qms	7.01
Qes	11.14



Drawing Dimensions / Installation

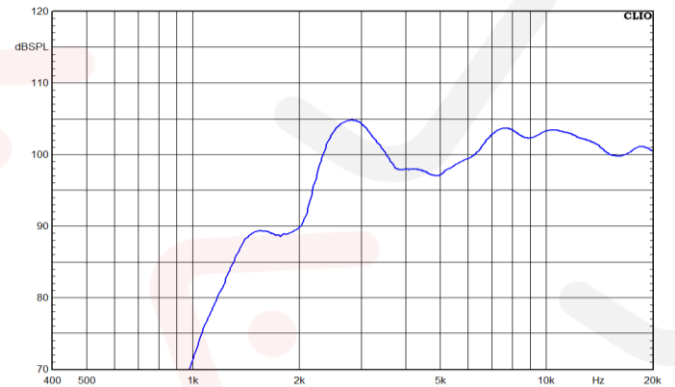


Technical Parameters

Magnet Material	Ferrite
Magnet Dimensions	90x15 mm (3.5x0.6 in)
Gap Height	4 mm (0.12 in)
Recommended Minimum Power	25 WRMS
Terminal Connection	Solder Terminals

Speaker / Package Dimensions

Outer Diameter	96x96 mm (3.8x3.8 in)
Mounting Hole Diameter	72 mm (2.8 in)
Mounting Depth	35 mm (1.4 in)
Magnet Diameter	70 mm (2.8 in)
Speaker Volume	0.22 L (0.0078 ft ³)
Speaker Weight	0.57 kg (1.3 lb)
Package Weight	0.66 kg (1.5 lb)
Shipping Box Dimensions	140x130x60 mm
Shipping Box Dimensions	5.5x5.1x2.4 in

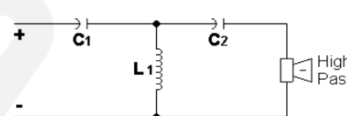


Graph measured at 2V - 1m / 4Ω
Nearfield frequency response measured at nominal sensitivity

For a clearer sound it is recommended:

Recommended Crossover (HPF)

5000 Hz - 18 dB



C1= 5.3 uF

C2= 15.9 uF

L1= 0.09 mH

GS Audio Srl - www.gsaudio.it

Via G. Matteotti 220/A - San Possidonio MO - Italy

WhatsApp +39 3473263458 - e-mail: info@gsaudio.it